

EUROPEAN PATENT OFFICE

Patent Abstracts of Japan

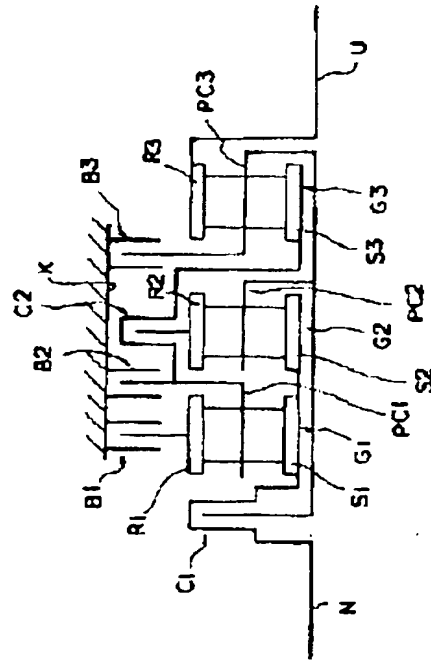
PUBLICATION NUMBER : 04290649
PUBLICATION DATE : 15-10-92
APPLICATION DATE : 20-03-91
APPLICATION NUMBER : 03056796

APPLICANT : RHYTHM CORP;

INVENTOR : HIRAIWA KAZUMI;

INT.CL. : F16H 3/62 F16H 3/66

TITLE : PLANETARY GEAR TRAIN OF
AUTOMATIC TRANSMISSION



ABSTRACT : PURPOSE: To improve the power transmission efficiency at the fifth and sixth speeds, reduce the gear noise, and reduce the number of revolution of a constitution member which revolves at a high speed.

CONSTITUTION: N is an input shaft connected with an output shaft on an engine side, and U is an output shaft. Between the input shaft N and the output shaft N, three pairs of single planetary gear mechanisms G1-G3, the first-second brakes B1-B2, and the first-third clutches C1-C3 are arranged. The first single planetary gear mechanism G1 is the first speed change means, and a planetary gear train constituted of the second and third single planetary gear mechanisms G2 and G3 is the second speed change means. The speed change stages consisting of the forward six speed and the rearward one speed are enabled by selectively operating each clutch C1, C2 and each brake B1-B3.

COPYRIGHT: (C)1992,JPO&Japio